

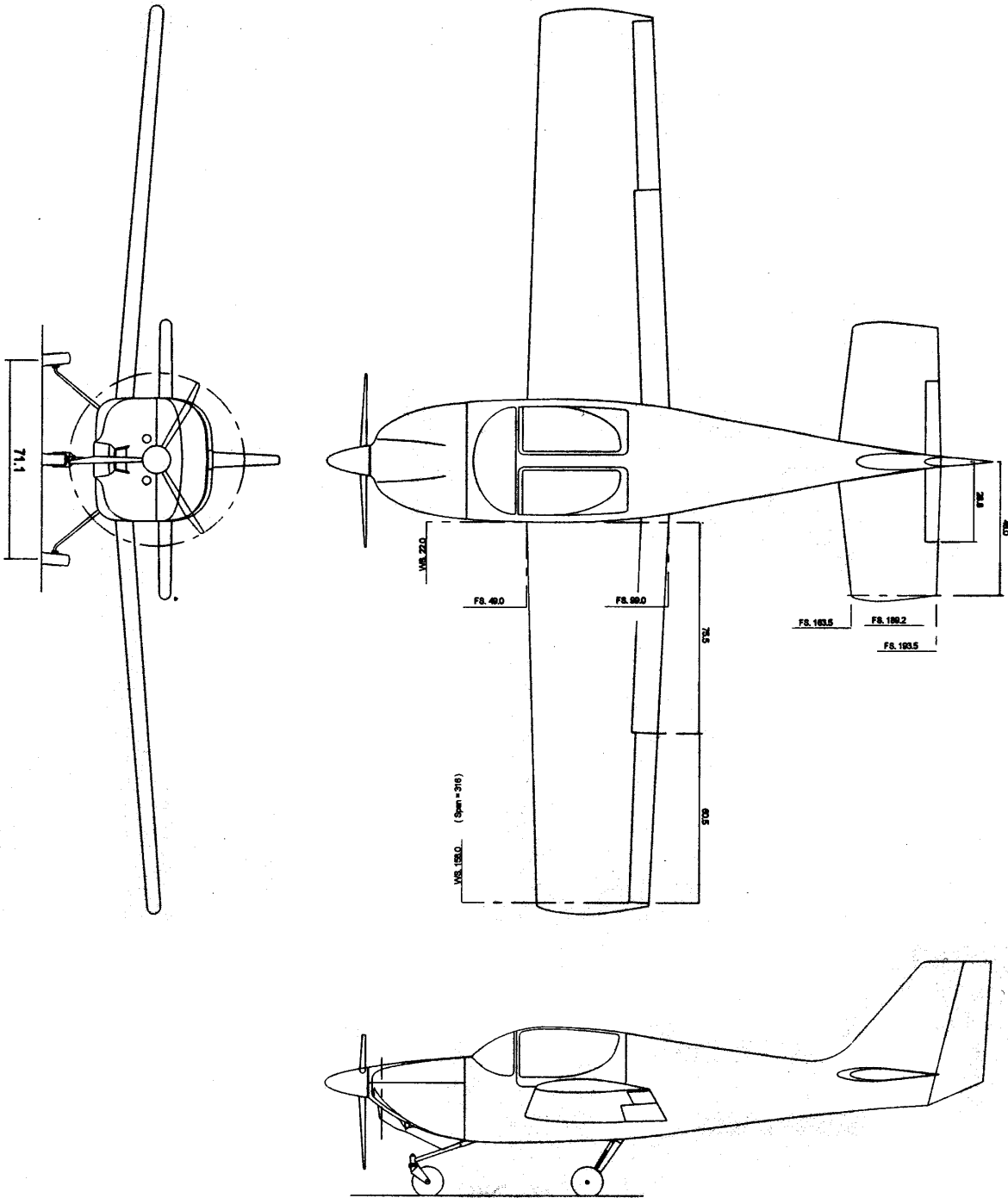


Contents of Chapters

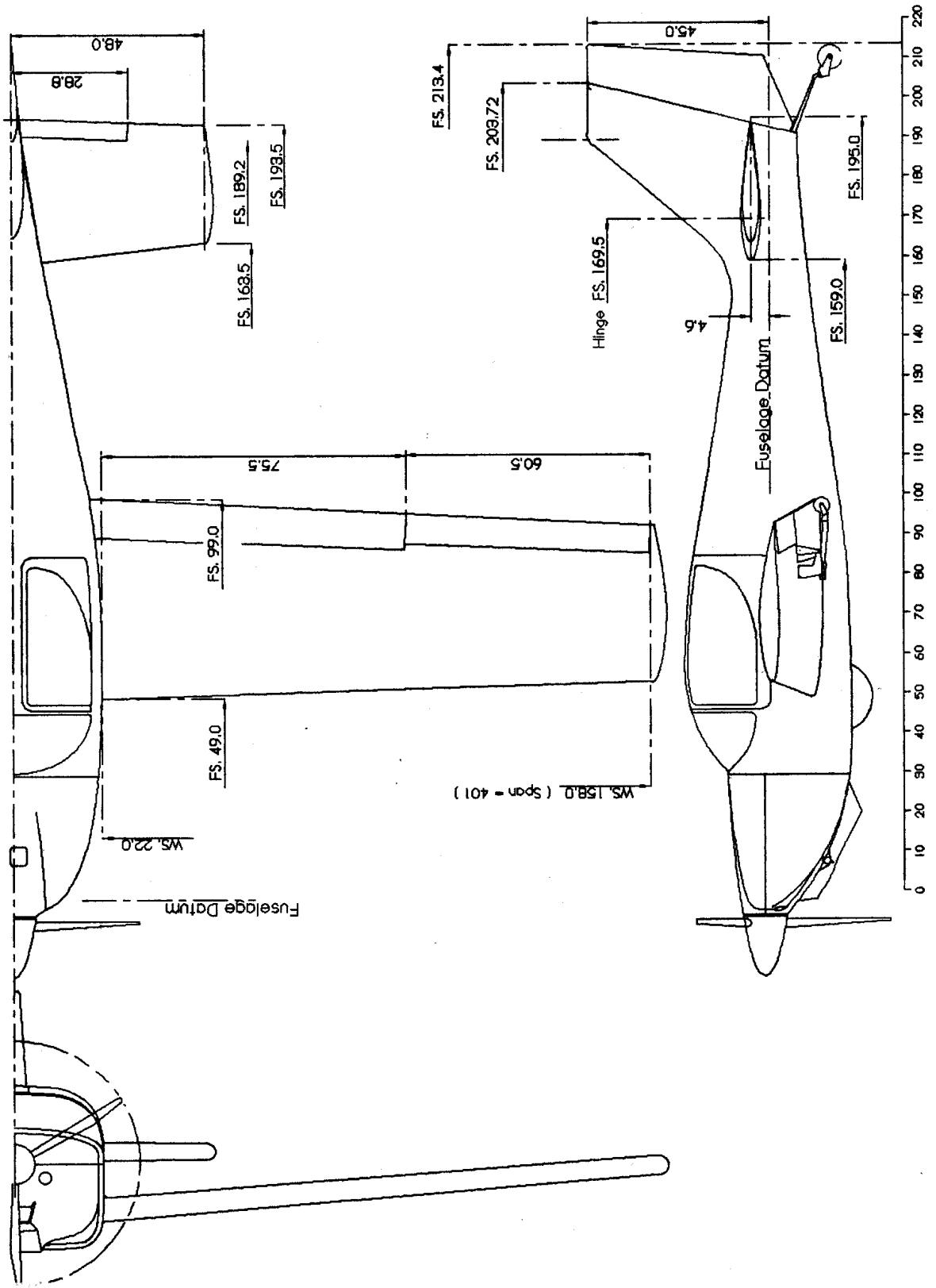
1	Introduction
2	Rudder
3	Tailplanes
4	Anti-servo/trim tab
5	Tailplane assembly
6	Flaps
7	Ailerons
8	Wings
9M	Fitting ailerons and flaps - monowheel
9T	Fitting ailerons and flaps - trigear
10M	Fuselage - introduction - monowheel
10T	Fuselage - introduction - trigear
11	Preparing the mouldings
12M	Brake master cylinder - monowheel
13	Flying controls
14	Aileron quick-connect system
15	Pitch torque tube
16	Fuel tank
17	Bonding cockpit module into fuselage
18	Tailplane torque tube
19	Pitch trim system
20	Tailplane mass balance & control stop
21M	Landing gear mounting frame - monowheel
21T	Nose gear mounting frame - trigear
22	Rudder system
23M	Bonding on fuselage top moulding - monowheel
23T	Bonding on fuselage top moulding - trigear
24	Instrument panel module
25	Electrical system



26	Wing lift/drag pin and flap drive pin installation
27	Wing to fuselage assembly
28M	Flap control system & baggage bay - monowheel
28T	Flap control system & baggage bay - trigear
29M	Landing gear - monowheel
29T	Landing gear - trigear
30	Fuel system
31	Firewall
32M	Sternpost, rudder & tailwheel - monowheel
32T	Sternpost & rudder - trigear
33T	Braking system - trigear
34	Door latches
35	Fitting doors
36	Seat harnesses
37	Finishing
Annex A	Templates
Annex B	Safety data - Redux 420
Annex C	V.H.F. Comm antenna
Annex D	Basic Electrics
Annex E (M)	Final Inspection Checklist - monowheel
Annex E (T)	Final Inspection Checklist - trigear
Annex F	Full size templates



3 view G.A. - trigear



3 View G.A. Monowheel